



5G Fixed Wireless Gateway HM-5200T

Quick Installation Guide

Product Specification

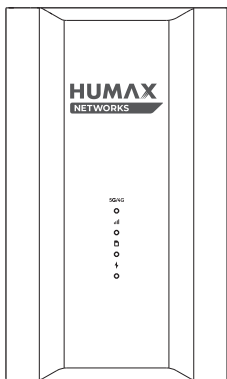
1. Interface

Device Interface	Description
LAN	1 x 2.5Gigabit Ethernet (RJ-45)
Power	PoE (Power over Ethernet, IEEE802.3af)
SIM Card	Nano-SIM
USB	USB 2.0 (C-Type)

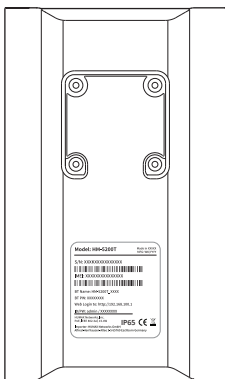
2. Physical Specification

Item	Description
Dimension	112(W) x 37(D) x 188(H) mm
Power	External Power Supply Input: AC 100-240V Output: DC 48V, 0.3A (PoE, IEEE802.3af)
Operating Temperature	0°C ~ 55°C
Storage Temperature	-40°C ~75°C
Operating Humidity	5% ~ 95% (Non-condensing)

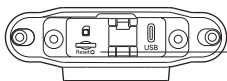
Product Overview



Front



Rear

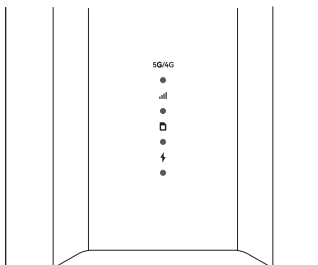


Bottom

Button

Name	Description
Reset	Short Press(2 seconds): Rebooting the device. Long Press(10 seconds or longer): Factory default reset.

LED Operation



LED	Color/Status	Description
5G 4G	Green On	Communicates via 5G Network.
	Green Slow Blinking	Communicates via 4G Network.
	Off	The modem is off, no service, or no plug-in Nano-SIM card.
📶 (SSI)	Green On	The signal strength is good.
	Green Fast Blinking	The signal strength is poor.
	Off	The modem is off, no service, or no plug-in Nano SIM card.
📠 SIM	Green On	The SIM card is working properly.
	Green Blink	SIM card PIN/PUK is locked.
	Off	No Sim card insertion or error.
⚡ (Power)	Green On	Power is on.
	Green Slow Blinking	Firmware is being upgraded.
	Green Blink	Press reset button
	Off	Power is off.

- Slow Blinking means blinking once per second.
- Blinking means blinking 5 times per second.
- Fast Blinking means blinking 20 times per second.

Package Lists



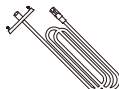
HM-5200T



Quick Installation
Guide



PoE (Power over
Ethernet)



Network Cable



Window Mounting
Bracket



Pole Mounting
Hoop



Pole&Wall Mounting
Bracket 1 & Bracket 2



M4 x 8mm
Screws (1ea)



M3 x 10mm
Screws (4ea)



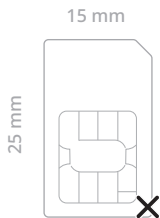
M4 x 30mm
Screws (4ea)



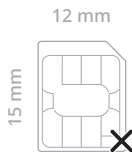
Expansion
Tube (4ea)

Additional Items Required:

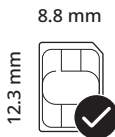
The 5G Outdoor CPE product requires a **Nano-SIM card** sold by a telecommunications carrier.



mini-SIM(2FF)



micro-SIM(3FF)

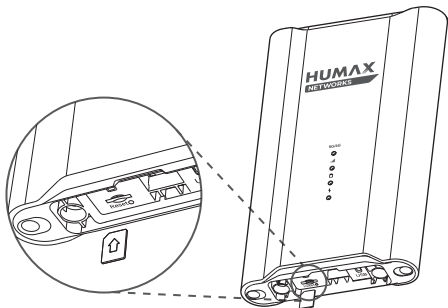


Nano-SIM

Installation

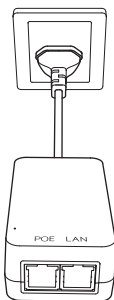
1. Insert the Nano-SIM card

Insert the Nano-SIM card into the card slot at the bottom of the device.

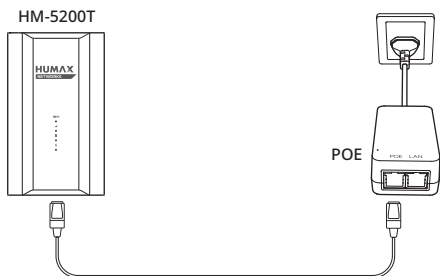


Connection

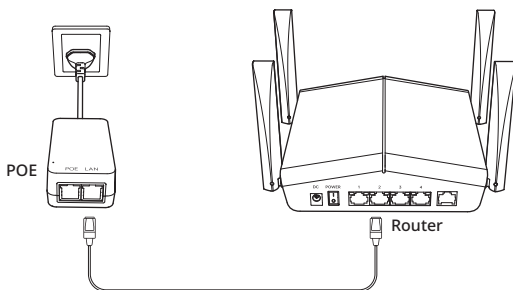
① **Connect the POE (Power over Ethernet) adapter** to the power supply.



② Using a network cable, plug one end into the **POE port of the POE adapter**, and the other end into the **LAN port of the HM-5200T**.



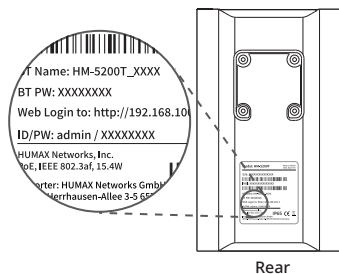
③ Using a network cable, plug one end into the **LAN port of the POE adapter**, and the other end into the **LAN port of the Router**.



④ Wait for about 2 minutes until HM-5200T finishes booting, then you can access the Internet.

Note:

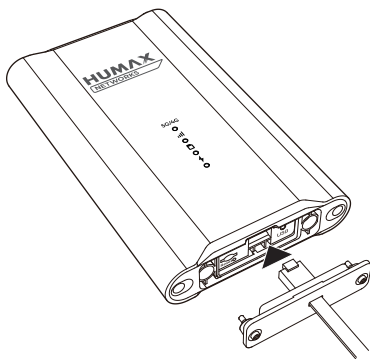
After connecting to LAN, you can check the status or change the settings by accessing <http://192.168.100.1> through a browser. At this time, the ID and password required for login can be found on the label attached to the product.



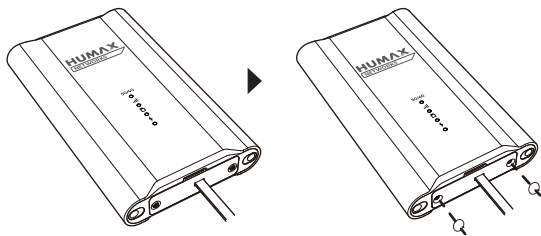
2. Assembling the Network Cable

① After checking that the Nano-SIM card is properly inserted, **assemble the Network Cable** by fitting it to the device.

At this time, the Network Cable should not be tilted at the bottom of the device, and should be in a straight line with the bottom of the device body.



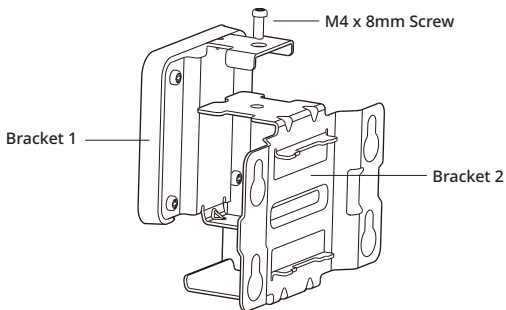
② Tighten the two fixing screws using a screwdriver.



Mounting

1. Pole Mounting

① Take out the iron Brackets 1 and 2 from the package. Loosen the M4 x 8mm screw in the middle and disassemble them.

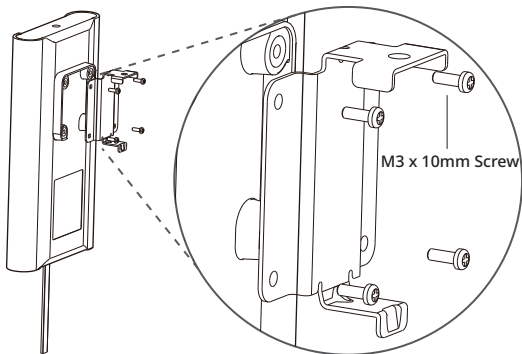


② Take out the M3 screws from the package and **fix Bracket 1 to the device** with the M3 x 10mm screws.

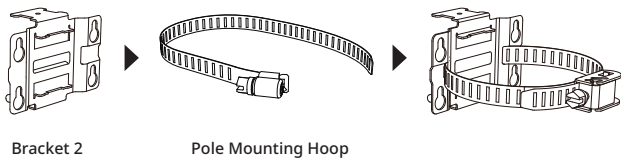
Note:

Please check the installation direction of Bracket 1 through the picture.

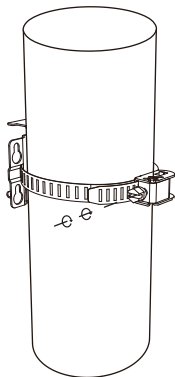
TTTT
M3 x 10mm
Screws (4ea)



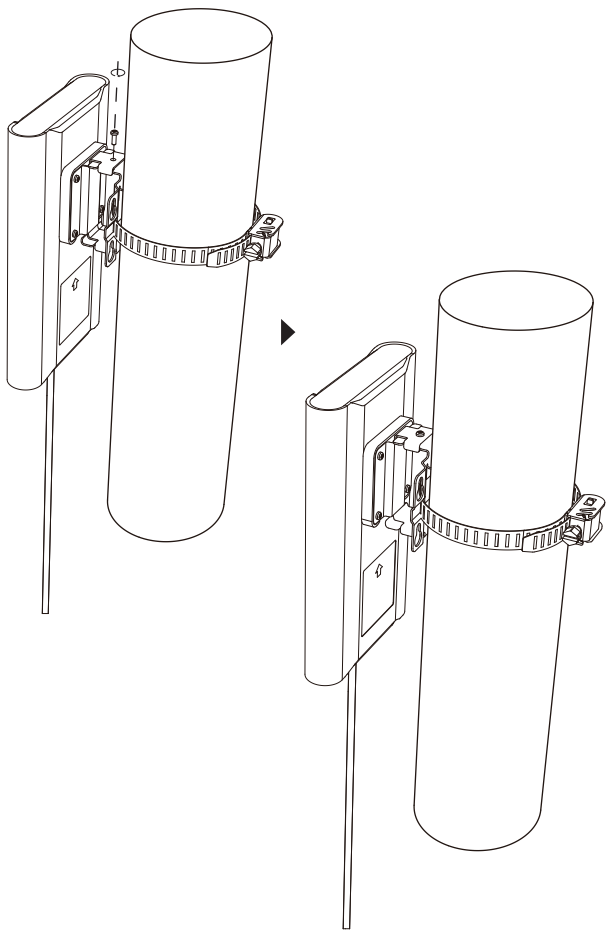
③ Take out the hoop from the package, loosen the screws of the hoop with a screwdriver, and then **install the loosened hoop to Bracket 2**.



④ After installing **Bracket 2 and the Hoop to the pole**, **tighten them** with the original screws to secure them to the pole.

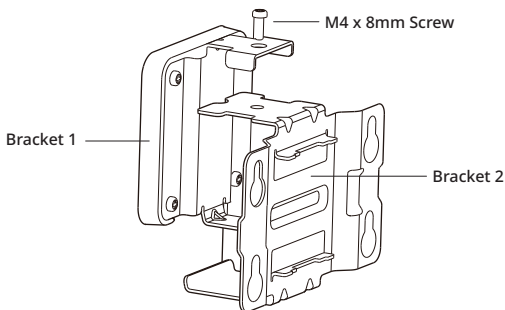


- ⑤ **Hang the device with Bracket 1 installed on Bracket 2** and lock the M4 screw.



2. Wall Mounting

① Take out the iron **Brackets 1 and 2** from the package. **Loosen the M4 x 8mm screw** in the middle and disassemble them.

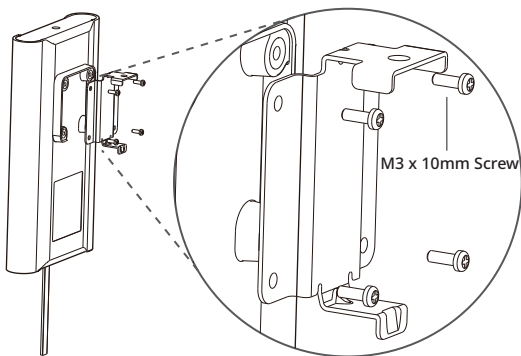


② Take out the M3 x 10mm screws from the package and **fix Bracket 1 to the device** with the M3 x 10mm screws.

Note:

Please check the installation direction of Bracket 1 through the picture.

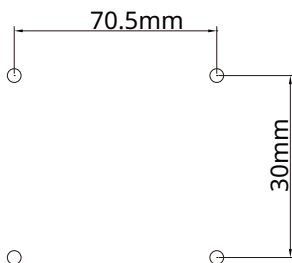
TTTT
M3 x 10mm
Screws (4ea)



③ Refer to the picture below to **mark the location on the wall** where to drill the hole. After drilling the hole, **insert the Expansion Tube**.



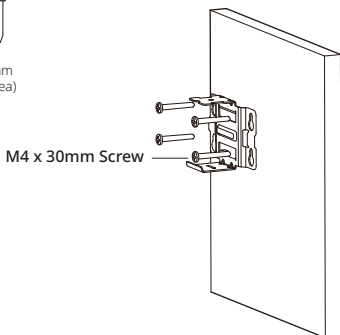
Expansion
Tube (4ea)



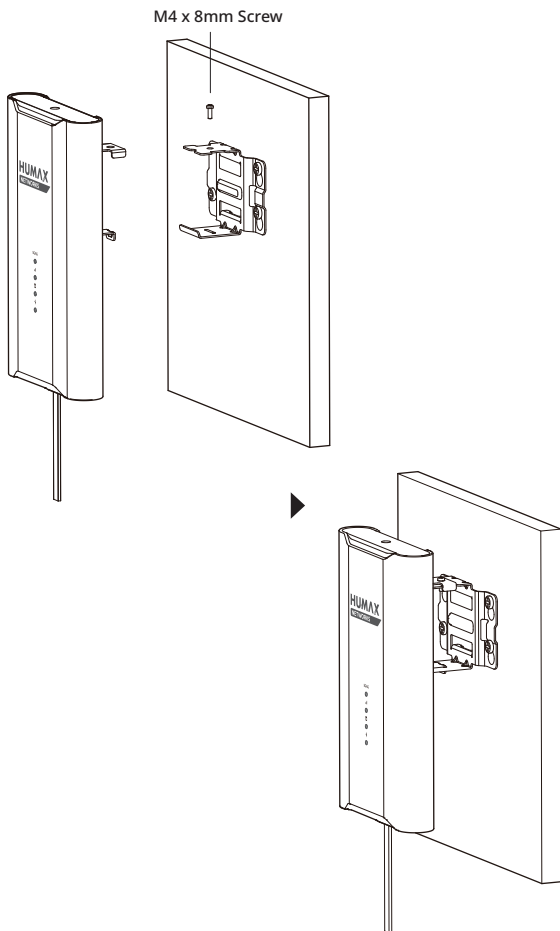
④ Take out the M4 x 30mm screws from the package and **secure Bracket 2 to the hole drilled.**



M4 x 30mm
Screws (4ea)

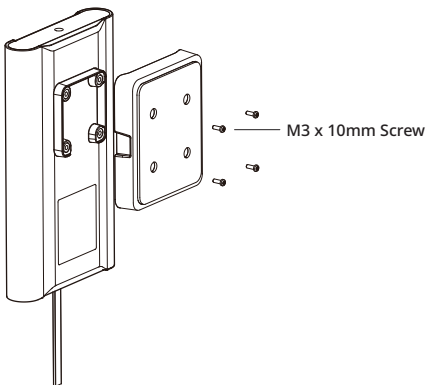


- ⑤ Hang the **device with the Bracket 1 installed on the Bracket 2** fixed to the wall and fix it with the M4 x 8mm screw.

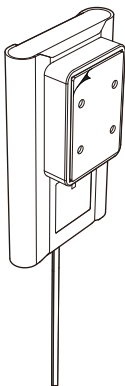


3. Window Mounting

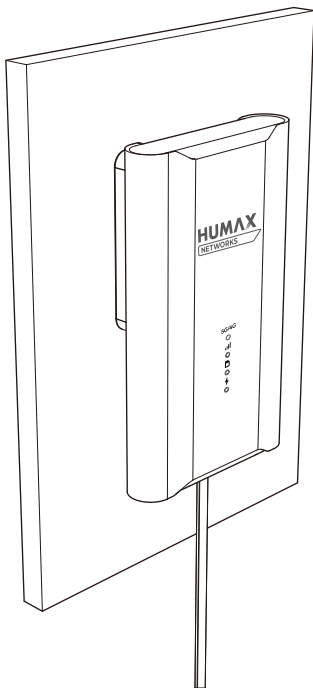
- ① Prepare the Window Mounting Bracket and M3 x 10mm screws.
Hold the grooves on the side of the Window Mounting Bracket with both hands, **place it on the product, and tighten the M3 x 10mm screws.**



- ② **Remove the release paper of 3M VHB tape** from the Window Mounting Bracket.



③ **Attach the Window Mounting Bracket** to the cleaned window glass. Attach it so that the grooved areas on the side of the bracket are on both sides.



Safety Instructions

Please read these instructions carefully before installation/use, and install/use correctly. The precautions given are intended to help you use the product safely and correctly and prevent harm or damage to you or others.

Installation Safety

- Conducted only by professional installer who has been accurately trained.
- Use only the power adapter provided. Using a different one may cause device damage.
- The power supply must be connected to a main outlet with a protective earth connection.
- Do not defeat the protective earth connection.
- Do not install the device in wet or damp conditions.
- Do not install near heat sources such as fire, boilers, or air conditioners.
- Do not install in a location where electromagnetic interference (EMI) does not occur.

Usage Caution

- Do not place any object on the device to avoid damaging the device.
- Do not open the enclosure without permission and technical support, which voids the provider's warranty.
- If need to clean the dust of the equipment, please cut off the power supply first and unplug the relevant connecting cable, then use dry cloth to clean, do not use any liquid.
- Power off the device and unplug the cables when the device is not using for a long time.

Energy Efficiency

The device enters a low-power state(<5W) when no user traffic is detected on either wired or wireless interfaces.

EU Regulatory Compliance

Compliance with the RE Directive

HUMAX Networks, Inc. declares that the equipment HM-5200T is in compliance with the essential requirements and other relevant provisions of the RE Directive 2014/53/EU. The full text of the EU declaration of conformity is available at the following internet address:

https://www.humax-networks.com/regulatory_info

RF Exposure Information

RF exposure information: The Maximum Permissible Exposure (MPE) level has been calculated based on a distance of 90cm between the equipment and the human body. To maintain compliance with RF exposure requirement, use product that maintain a 90cm distance between the equipment and human body.

Legal information

This equipment may be operated in all member states of the EU.

Observe national and local regulations where the equipment is used.

AT	BE	BG	CH	CY	CZ	DE	
DK	EE	EL	ES	FI	FR	HR	
HU	IE	IS	IT	LI	LT	LU	
LV	MT	NL	NO	PL	PY	RO	
SE	SI	SK	TR	UK(NI)			

Frequency Bands and Power

The maximum radio-frequency power transmitted in the frequency bands in which the radio equipment operates: The maximum power for all bands is less than the highest limit value specified in the related Harmonized Standard.

UMTS Bands 1/5/8: 25 dBm

LTE FDD Bands 1/3/5/7/8/20/28: 25 dBm

LTE TDD Bands 38/40: 25 dBm

LTE TDD Bands 41/42/43: 28 dBm

5G NR bands n1/n3/n5/n7/n8/n20/n28/n38: 25 dBm

5G NR bands n40/n41/n77/n78: 28 dBm

5G NR MIMO bands n41/n77/n78: 31 dBm

Bluetooth 2.4GHz: 20 dBm

WLAN 2.4GHz: 20 dBm

Importer: HUMAX Networks GmbH
Alfred-Herrhausen-Allee 3-5 65760 Eschborn Germany

Manufacturer: HUMAX Networks, Inc.
HUMAX Village, 216, Hwangsaeul-ro,
Bundang-gu, Seongnam city, Gyeonggi-do South Korea

